

APPENDIX D

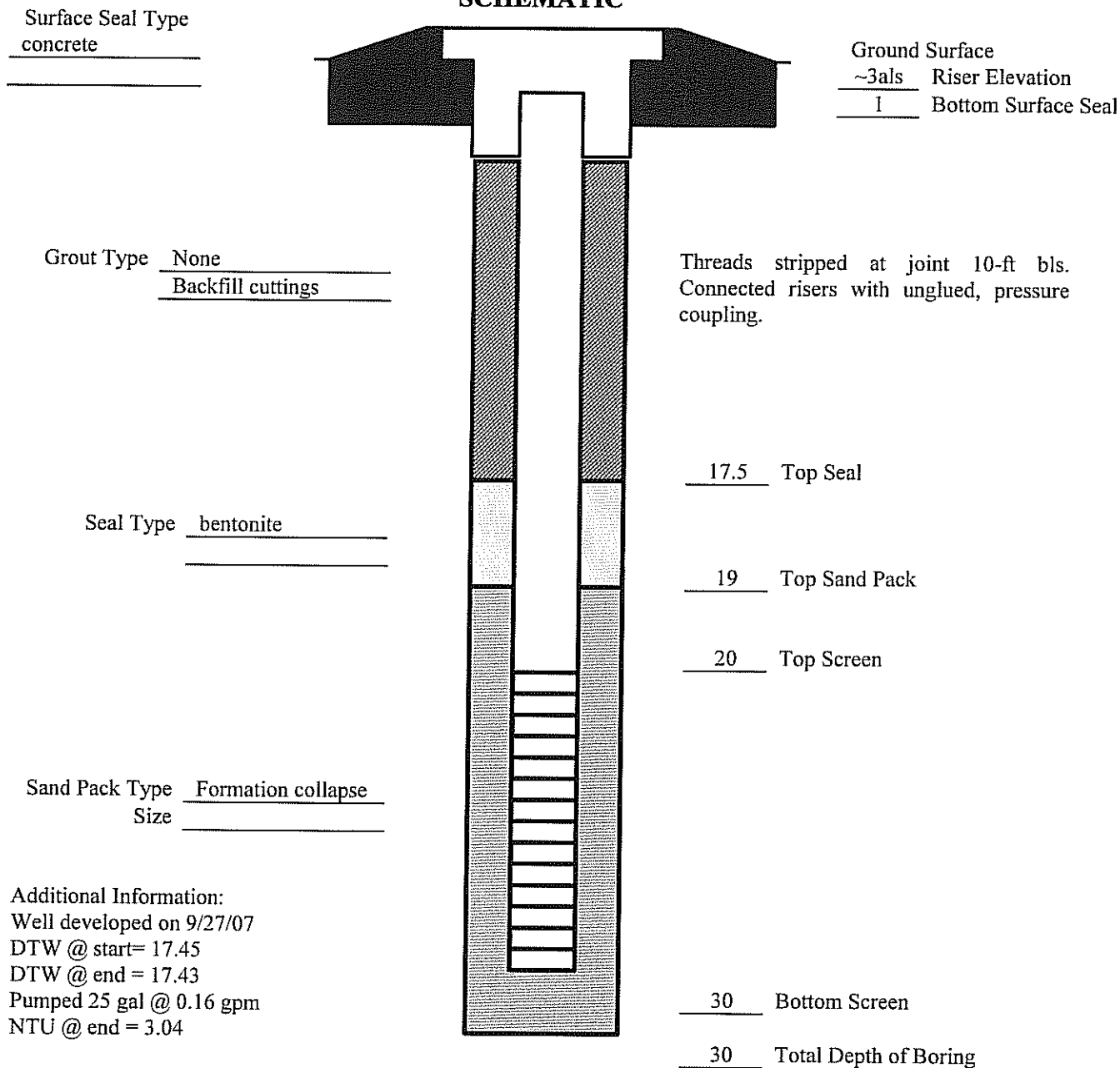
**GROUNDWATER AND STORMWATER RELATED
DOCUMENTS**

Appendix D-1
Well Completion Reports

Well Construction Log

Site 1610 New Highway Job No. _____ Well No. MW-1
 Total Depth 30-ft Surface Elevation _____ Top Riser Elevation 74.94 ft
 Water Levels (Depth, Date, Time) 14.5, 9/25/07, 2 PM Date Installed 9/25/07
 Riser Dia. 2-in Material PVC Length 20-ft
 Screen Dia. 2-in Material PVC Length 10-ft Slot Size 20

SCHEMATIC



Well Construction Log

Site 1610 New Highway Job No. _____ Well No. MW-2

Total Depth 15-ft Surface Elevation _____ Top Riser Elevation 69.20 ft

Water Levels (Depth, Date, Time) 7, 9/25/07, 10 AM Date Installed 9/25/07

Riser Dia. 2-in Material PVC Length 8-ft
 Screen Dia. 2-in Material PVC Length 10-ft Slot Size 20

SCHEMATIC

Surface Seal Type concrete

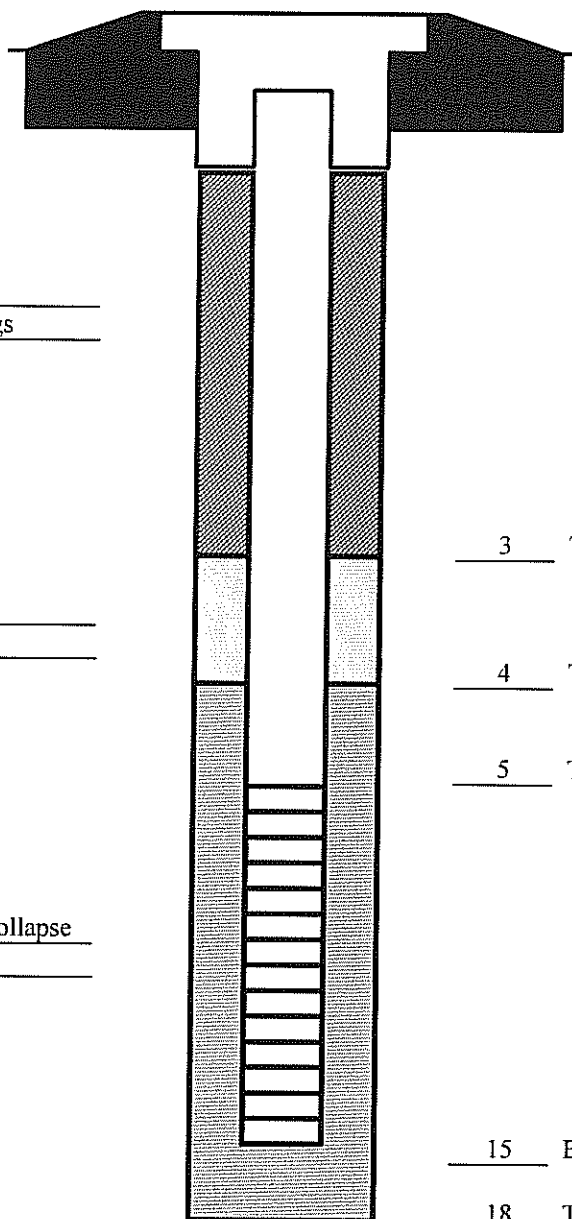
Ground Surface ~3als Riser Elevation
1 Bottom Surface Seal

Grout Type None
Backfill cuttings

Seal Type bentonite

Sand Pack Type Formation collapse
 Size _____

Additional Information:
 Well developed on 9/27/07
 DTW @ start = 10.68
 DTW @ end = 10.65
 Pumped 40 gal @ 1 gpm
 NTU @ end = 0.0



3 Top Seal
4 Top Sand Pack
5 Top Screen

15 Bottom Screen
18 Total Depth of Boring

Well Construction Log

Site 1610 New Highway Job No. _____ Well No. MW-3

Total Depth 13.5 ft Surface Elevation _____ Top Riser Elevation 63.81

Water Levels (Depth, Date, Time) 6.7, 9/25/07, 10:45 AM Date Installed 9/25/07

Riser Dia. 2-in Material PVC Length 3.5-ft
 Screen Dia. 2-in Material PVC Length 10-ft Slot Size 20

SCHEMATIC

Surface Seal Type
concrete

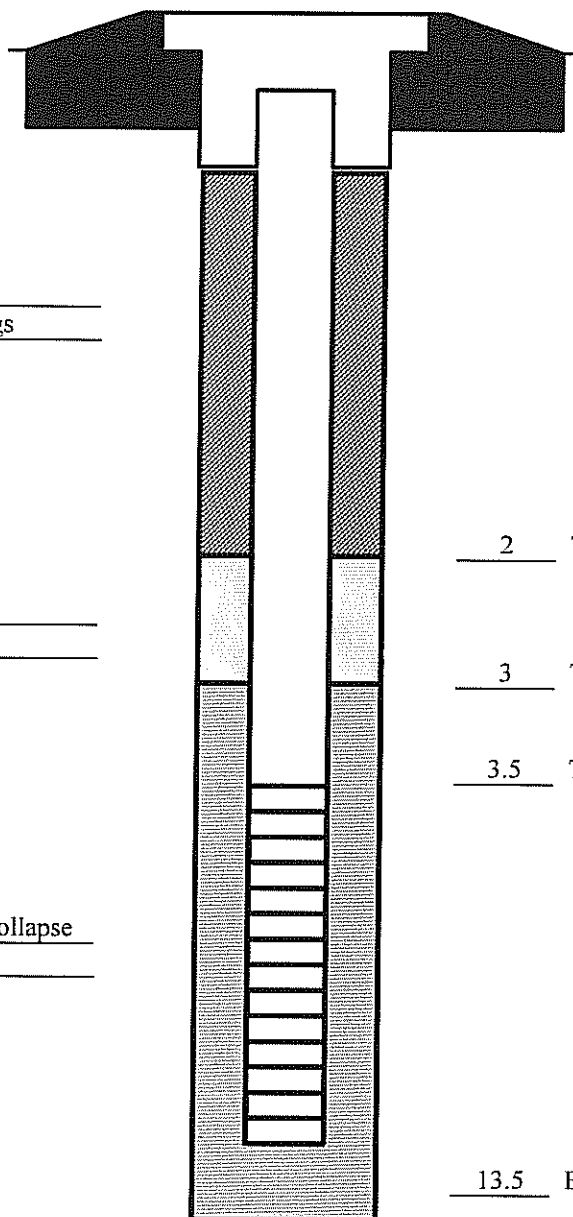
Ground Surface
0.6'als Riser Elevation
1 Bottom Surface Seal

Grout Type none
Backfill cuttings

Seal Type benetonite

Sand Pack Type Formation collapse
Size _____

Additional Information:
 Well developed on 9/27/07
 DTW @ start= 7.15
 DTW @ end = 7.14
 Pumped 60 gal @ 1 gpm
 NTU @ end = 0.0



2 Top Seal
3 Top Sand Pack
3.5 Top Screen
13.5 Bottom Screen
15 Total Depth of Boring



Well Construction Log

Site 1610 New Highway Job No. _____ Well No. MW-6

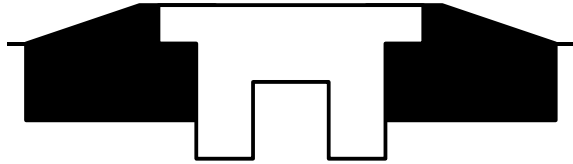
Total Depth 20-ft Surface Elevation _____ Top Riser Elevation 70.51 ft

Water Levels (Depth, Date, Time) 12.05/5-8-09/ Date Installed 5/8/09

Riser Dia. 2-in Material PVC Length 10-ft
Screen Dia. 2-in Material PVC Length 10-ft Slot Size 20

SCHEMATIC

Surface Seal Type concrete



Finished at land surface

Surface Seal- land surface to 3-ft bls

Grout Type concrete
Backfill cuttings

3 Backfill

8 Top Seal

Seal Type bentonite

9 Top Gravel Pack

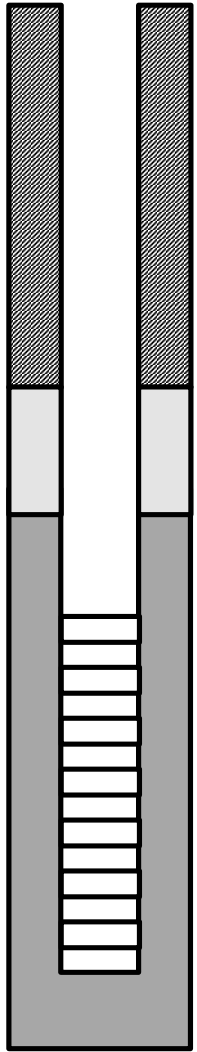
10 Top Screen

Sand Pack Type Gravel
Size #2

20 Bottom Screen

30 Total Depth of Boring

Additional Information:
Well developed on 5/8/09
Pumped ~ 25 gal





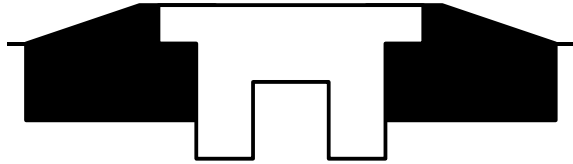
Well Construction Log

Site 1610 New Highway Job No. _____ Well No. MW-7
 Total Depth 35-ft Surface Elevation _____ Top Riser Elevation 86.94 ft
 Water Levels (Depth, Date, Time) 31.99 5/8/09 Date Installed 9/25/07
 Riser Dia. 2-in Material PVC Length 28-ft
 Screen Dia. 2-in Material PVC Length 10-ft Slot Size 20

SCHEMATIC

Surface Seal Type concrete
3-ft bls to grade

Ground Surface
~3-ft Riser Elevation als
1 Bottom Surface Seal



Grout Type concrete
Backfill cuttings

3 Backfill

Seal Type bentonite

21 Top Seal

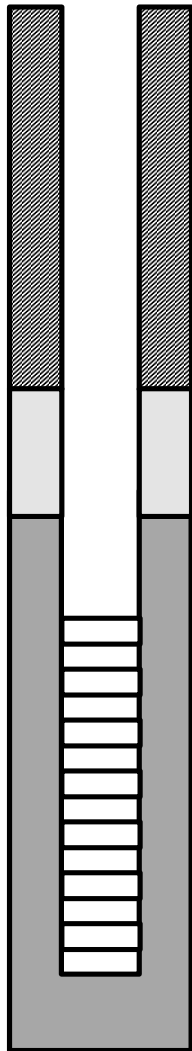
23 Top Gravel Pack

25 Top Screen

Sand Pack Type Gravel
 Size #2

35 Bottom Screen

18 Total Depth of Boring



Additional Information:
 Well developed on 9/27/07
 DTW @ start= 10.68
 DTW @ end = 10.65
 Pumped 40 gal @ 1 gpm
 NTU @ end = 0.0